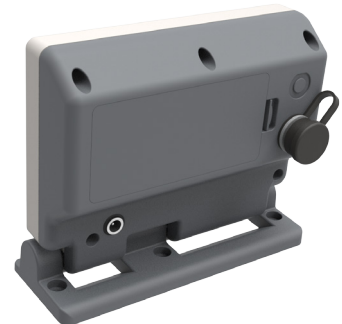


BED SCALE INDICATOR

AD-10B

FOR DIALYSIS PATIENT



CONNECTOR FOR JUNCTION BOX



- Desk top or ceiling mounted • BLE 5.x
- Direction of display unit can be auto-changed
- Free angle adjustment with friction hinge

DISPLAY	Full color 4.3inch TFT & touch screen
CASE	ABS
CONNECTED DEVICE	Digital junction box (ADJ series)
WIRELESS METHOD	Bluetooth (BLE 5.x)
USB	For memory back-up / Firmware upgrade
INDOOR/URBAN RANGE	30m international variant
BATTERY	18650 Li-Ion battery
OPERATING TIME	Approx. 20hrs
CHARGER	SMPS 12VDC, 2A
OPERATING TEMPERATURE	-20°C ~ 60°C
OPERATING HUMIDITY	85% R.H. (no condensation)
PRODUCT WEIGHT	0.4kg

